



Short range distance sensors (displacement) OD Precision

OD5-30T05



Model Name > **OD5-30T05**
Part No. > **6035977**

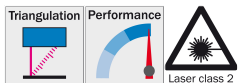


At a glance

- Many measurement ranges from 24 mm ... 26 mm up to 300 mm ... 700 mm
- CMOS receiving element for measurement independent of surface
- High measuring accuracy and frequency
- Glass thickness measurement with just one sensor head
- Different light spot sizes
- Integrated calculations for up to three sensors
- Stand alone use via RS-422

Your benefits

- Non-contact measurement improves quality inspection during production
- Surface-independent measurement algorithms ensure minimum machine downtime, regardless of surface gloss or color
- Reduced processing times as a result of the high measuring frequency of up to 10 kHz
- Simple, cost-effective solution for challenging measuring tasks due to a variety of sensor models
- Optional stand-alone operation via RS-422 means the OD Precision offers maximum performance at lower investment costs
- High visibility LC display enables simple, cost-effective setup
- Many interfaces for simple integration into an existing production environment



Features

System part:	Sensor head
--------------	-------------

Performance

Measuring range:	25 mm ... 35 mm, 6 % ... 90 % remission; at default settings
Resolution:	0.2 μm ¹⁾
Repeatability:	0.6 μm ²⁾
Linearity:	$\pm 8 \mu\text{m}$ ³⁾
Response time ^{4), 5)} :	0.1 ms
Measuring frequency:	10 kHz ⁶⁾
Light source:	Laser, red
Typ. light spot size (distance):	30 μm x 100 μm (30 mm)

Additional function:	Anti interference mode, Automatic sensitivity adjustment, Selectable measuring frequency (automatic/0.1 ms ... 3.2 ms), Glass thickness measurement, Manual sensitivity adjustment, Averaging settings 1 ... 4,096x
Output rate:	≤ 0.1 ms
Note:	OD Precision sensor head can be used with AOD5-P/N1 or stand-alone via RS-422
Laser class:	2 (EN 60825-1) ⁷⁾

1) ³⁾ Measurement on 90 % remission (ceramic, white), for OD5-25x measurement on mirror; averaging set to: 4096 ²⁾ Measurement on 90 % remission (ceramic, white), for OD5-25x measurement on mirror; averaging set to: 4096; constant ambient conditions ⁴⁾ Time needed for automatic sensitivity adjustment is calculated as: sampling period x 20. At default setting 100 μs (10kHz) this is ≤ 2ms. ^{5) 6)} Default setting for OD5-350x100 and OD5-500x200 = 0.8 ms, 1.25 kHz likewise, all other types = 0.1 ms/10 kHz ⁷⁾ Wavelength: 655 nm, max. output: 1 mW

Interfaces

Data interface:	RS-422
Laser off input:	1 x laser-off

Mechanics/electronics

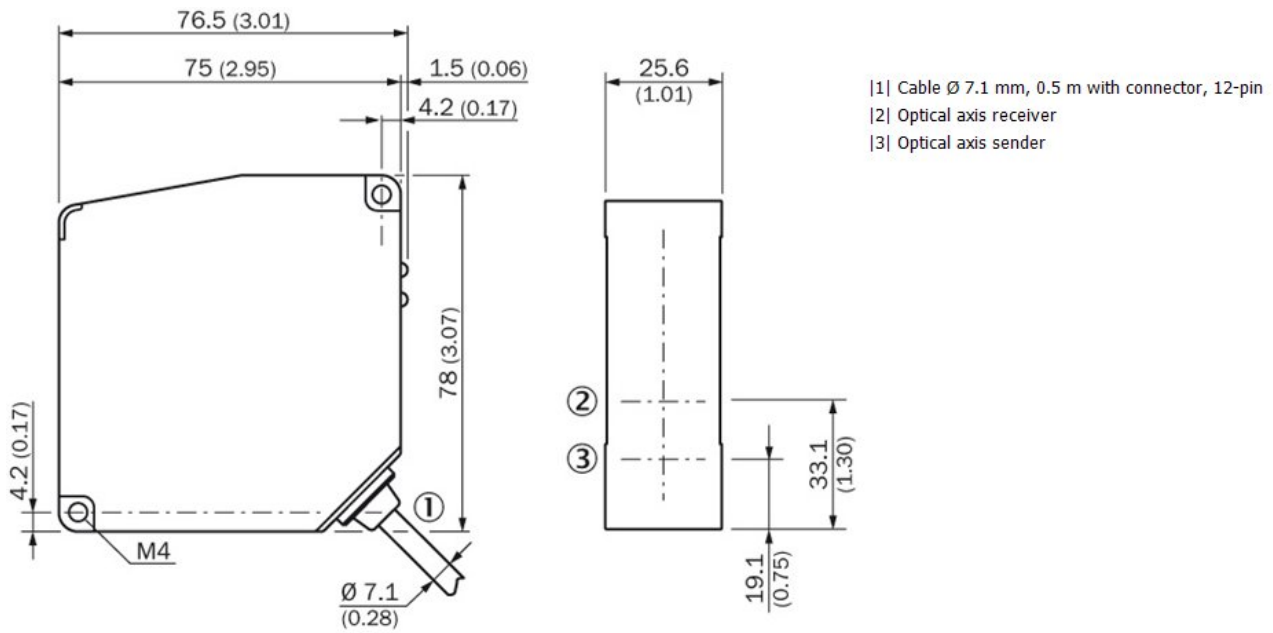
Connection type:	0.5 m cable with connector ¹⁾
Supply voltage V_s ²⁾ :	DC 12 V ... 24 V
Warm-up time:	≤ 5 min
Indication:	LEDs, 4" color-display on optional controller unit
Weight:	250 g ³⁾
Housing material:	Aluminum housing with glass lens

¹⁾ Extensible by cable to max. 50 m ²⁾ DC 12 V (-5 %) ... DC 24 V (+10 %) ³⁾ Inclusive 0.5 m cable

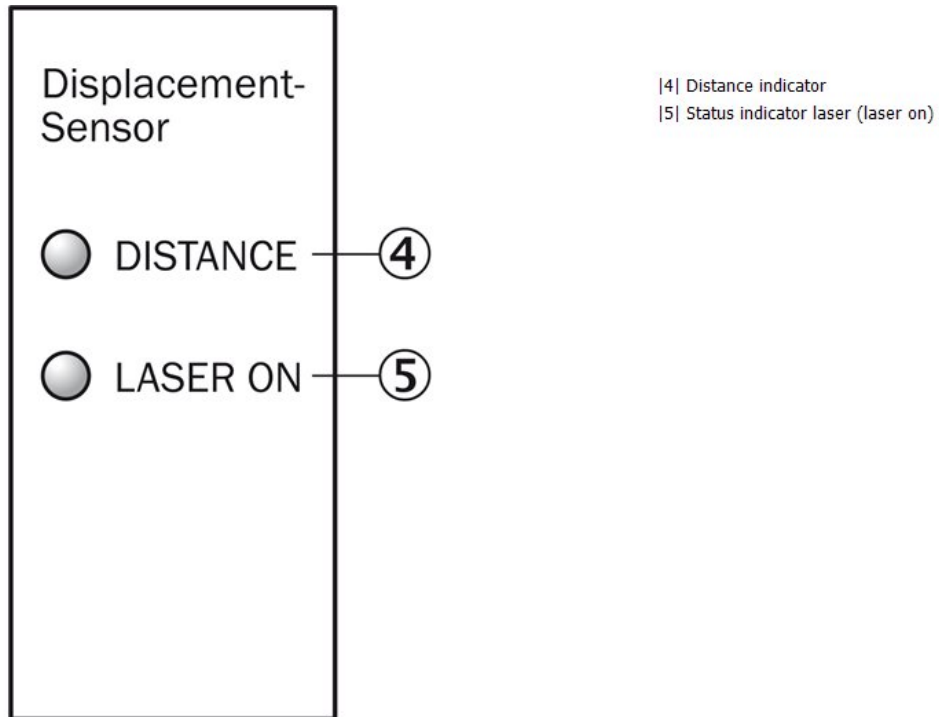
Ambient data

Enclosure rating:	IP 67
Protection class:	III
Ambient temperature:	Operation: -10 ... +50 °C, Storage: -20 ... +60 °C
Temperature drift:	± 0.01 % FS/K (FS = Full Scale = Measuring range of sensor)
Typ. ambient light safety:	Artificial light: ≤ 3,000 lx Sunlight: ≤ 10,000 lx
Vibration resistance:	10 Hz ... 55 Hz (amplitude 1.5 mm, x-, y-, z-axis 2 hours each)
Shock resistance:	50 G (x-, y-, z-axis 3 times each)
Relative humidity (not condensing):	35 % ... 85 %

Dimensional drawing



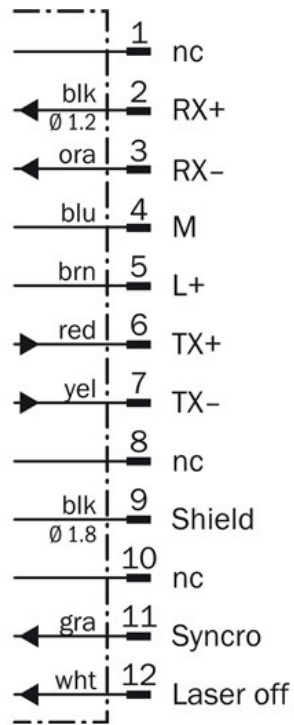
Adjustment possible



Connection type

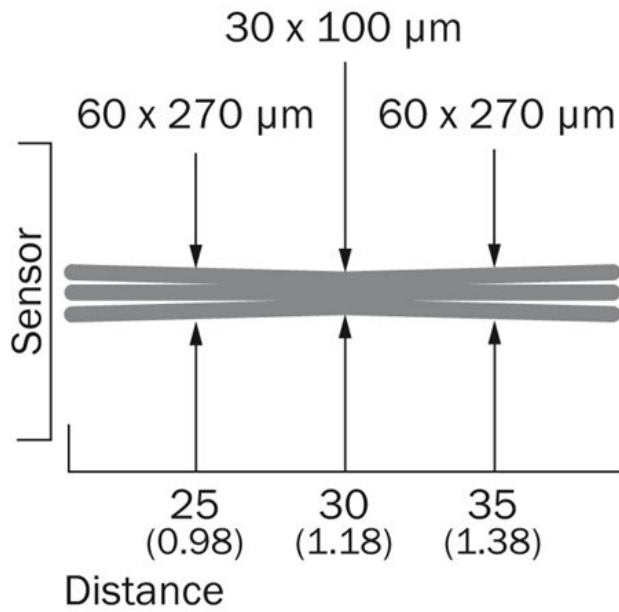


Connection diagram



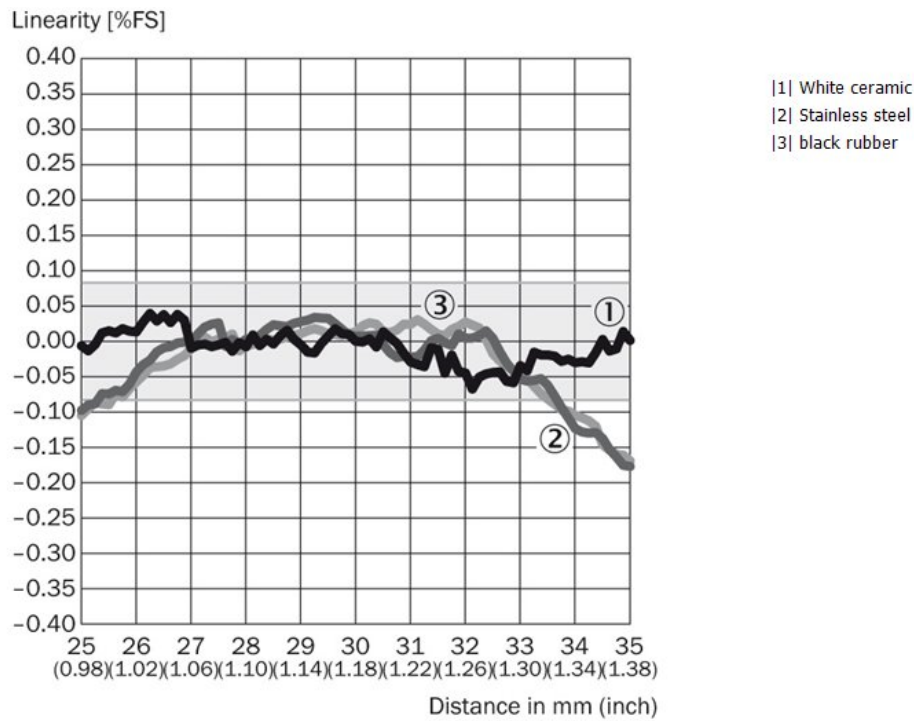
[1] not connected

Light spot size



All dimensions in mm (inch)

Linearity



Australia

Phone +61 3 9457 0600
1800 334 802 – tollfree
E-Mail sales@sick.com.au

Belgium/Luxembourg

Phone +32 (0)2 466 55 66
E-Mail info@sick.be

Brasil

Phone +55 11 3215-4900
E-Mail sac@sick.com.br

Canada

Phone +1 905 771 14 44
E-Mail information@sick.com

Česká republika

Phone +420 2 57 91 18 50
E-Mail sick@sick.cz

China

Phone +86 4000 121 000
E-Mail info.china@sick.net.cn
Phone +852-2153 6300
E-Mail ghk@sick.com.hk

Danmark

Phone +45 45 82 64 00
E-Mail sick@sick.dk

Deutschland

Phone +49 211 5301-301
E-Mail info@sick.de

España

Phone +34 93 480 31 00
E-Mail info@sick.es

France

Phone +33 1 64 62 35 00
E-Mail info@sick.fr

Great Britain

Phone +44 (0)1727 831121
E-Mail info@sick.co.uk

India

Phone +91-22-4033 8333
E-Mail info@sick-india.com

Israel

Phone +972-4-6801000
E-Mail info@sick-sensors.com

Italia

Phone +39 02 27 43 41
E-Mail info@sick.it

Japan

Phone +81 (0)3 3358 1341
E-Mail support@sick.jp

Magyarország

Phone +36 1 371 2680
E-Mail office@sick.hu

Nederland

Phone +31 (0)30 229 25 44
E-Mail info@sick.nl

Norge

Phone +47 67 81 50 00
E-Mail sick@sick.no

Österreich

Phone +43 (0)22 36 62 28 8-0
E-Mail office@sick.at

Polska

Phone +48 22 837 40 50
E-Mail info@sick.pl

România

Phone +40 356 171 120
E-Mail office@sick.ro

Russia

Phone +7-495-775-05-30
E-Mail info@sick.ru

Schweiz

Phone +41 41 619 29 39
E-Mail contact@sick.ch

Singapore

Phone +65 6744 3732
E-Mail sales.gsg@sick.com

Slovenija

Phone +386 (0)1-47 69 990
E-Mail office@sick.si

South Africa

Phone +27 11 472 3733
E-Mail info@sickautomation.co.za

South Korea

Phone +82 2 786 6321/4
E-Mail info@sickkorea.net

Suomi

Phone +358-9-25 15 800
E-Mail sick@sick.fi

Sverige

Phone +46 10 110 10 00
E-Mail info@sick.se

Taiwan

Phone +886-2-2375-6288
E-Mail sales@sick.com.tw

Türkiye

Phone +90 (216) 528 50 00
E-Mail info@sick.com.tr

United Arab Emirates

Phone +971 (0) 4 8865 878
E-Mail info@sick.ae

USA/México

Phone +1(952) 941-6780
1 800-325-7425 – tollfree
E-Mail info@sickusa.com

More representatives and agencies
at www.sick.com