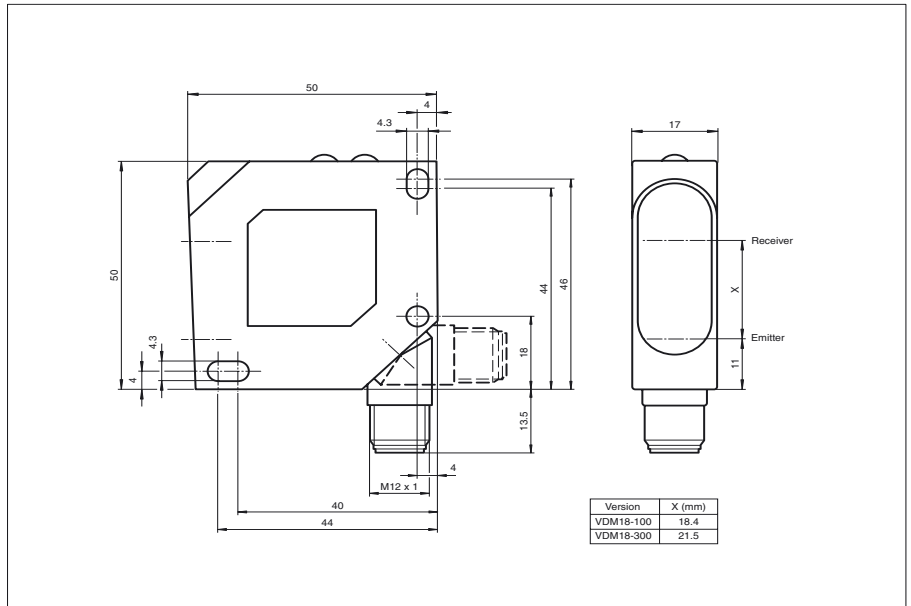




Dimensions



Model Number

VDM18-300/32/105/122

Distance measurement device with 5-pin, M12 connector

Features

- Analogue output 4 mA ... 20 mA
- High resolution
- Very fast response characteristic, suitable for rapid scanning process

Accessories

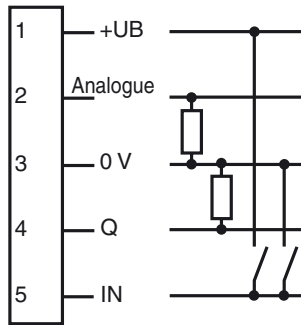
OMH-VDM18-01

Mounting aid

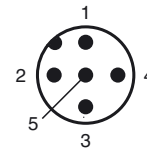
OMH-VDM18-02

Mounting aid

Electrical connection



Pinning according



Release date: 2008-06-05 11:53 Date of issue: 2008-06-05 193922_ENG.xml

Additional accessories can be found in the Internet.

Subject to reasonable modifications due to technical advances.

Copyright Pepperl+Fuchs, Printed in Germany

Pepperl+Fuchs Group • Tel.: Germany +49 621 776-0 • USA +1 330 4253555 • Singapore +65 67799091 • Internet <http://www.pepperl-fuchs.com>

Technical data

General specifications

Light source	laser diode red , 650 nm
Light spot representation	approx. 1.5 mm x 4.5 mm at 300 mm
Approvals	CE, cULus
Laser class	2 (EN 60825/1)
Linearity error	0.25 % of the measuring range
Measuring range	80 ... 300 mm
Light type	laser diode red 650 nm
Ambient light limit	≤ 5000 Lux
Resolution	< 0.1 % of the measuring range
Temperature influence	< 0.02% /°C

Indicators/operating means

Operating display	LED green
Function display	2 yellow LEDs: Switching status (each output) , 4 green LEDs: Operating mode
Operating elements	Control panel : Adjuster for switch point , Operating mode , analogue output (S - Set , T - Toggle)
Parameterisation display	LED red

Electrical specifications

Operating voltage	18 ... 30 V DC
Protection class	II , rated voltage ≤ 50 V DC
No-load supply current	I_0 ≤ 40 mA at 24 V DC
Time delay before availability	t_v ≤ 300 ms

Input

Control input	Laser off (HIGH +UB) Keypad lock (LOW 0V)
---------------	---

Output

Signal output	1 PNP output, short-circuit proof, protected from reverse polarity, open collector
Switching current	max. 100 mA
Measurement output	1 analogue output 4 ... 20 mA, short-circuit/overload protected , $R_{max} = 500 \text{ Ohm}$
Switching frequency	f ≤ 1 kHz
Response time	0.4 ms

Standard conformity

Standards	EN 60947-5-2
-----------	--------------

Ambient conditions

Ambient temperature	-10 ... 60 °C (263 ... 333 K)
Storage temperature	-20 ... 80 °C (253 ... 353 K)

Mechanical specifications

Protection degree	IP67
Connection	plastic connector M12 x 1, 5-pin
Material	
Housing	ABS , resistant to knocks
Optical face	PMMA
Mass	approx. 43 g

Curves/Diagrams

