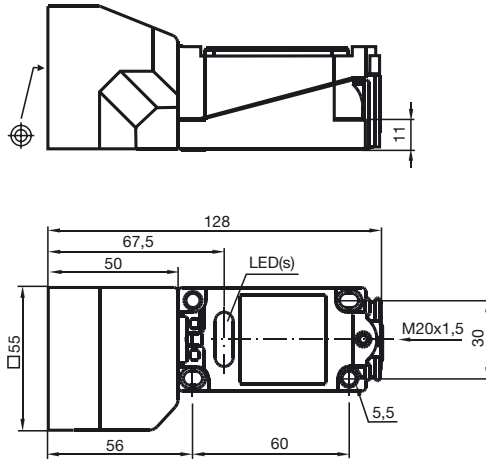


For use in direct- and alternating-field welding systems  
 40 mm not embeddable



General specifications	
Switching element function	PNP Make function
Rated operating distance $s_n$	40 mm
Installation	not embeddable
Output polarity	DC
Assured operating distance $s_a$	0 ... 32.4 mm
Reduction factor $r_{Al}$	0.4
Reduction factor $r_{Cu}$	0.3
Reduction factor $r_{V2A}$	0.85
Nominal ratings	
Operating voltage $U_B$	10 ... 30 V
Switching frequency $f$	0 ... 10 Hz
Hysteresis $H$	typ. 3 %
Reverse polarity protection	protected against reverse polarity
Short-circuit protection	pulsing
Voltage drop $U_d$	$\leq 3$ V
Operating current $I_L$	0 ... 200 mA
No-load supply current $I_0$	$\leq 20$ mA
Alternating magnetic field $B$	180 mT
Operating voltage display	LED, green
Indication of the switching state	LED, yellow
Standard conformity	
Standards	IEC / EN 60947-5-2:2004
Ambient conditions	
Ambient temperature	-25 ... 70 °C (248 ... 343 K)
Mechanical specifications	
Connection type	terminal compartment
Core cross-section	up to 2.5 mm <sup>2</sup>
Housing material	PBT
Sensing face	PBT
Protection degree	IP68

### Connection type:

