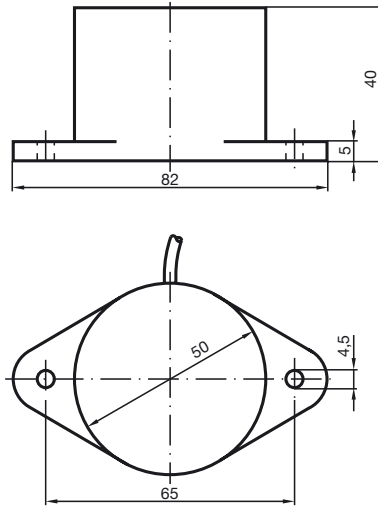


Comfort series
25 mm not embeddable



General specifications	
Switching element function	PNP Make function
Rated operating distance s_n	25 mm
Installation	not embeddable
Assured operating distance s_a	0 ... 20,25 mm
Reduction factor r_{Al}	0,4
Reduction factor r_{Cu}	0,3
Reduction factor r_{V2A}	0,85
Nominal ratings	
Operating voltage U_B	10 ... 30 V
Switching frequency f	0 ... 100 Hz
Reverse polarity protection	Protected against reverse polarity
Short circuit protection	pulsing
Voltage drop U_d	≤ 3 V
Operating current I_L	0 ... 200 mA
No-load supply current I_0	≤ 20 mA
Standard conformity	
Standards	EN 60947-5-2
Ambient conditions	
Ambient temperature	-25 ... 70 °C (248 ... 343 K)
Mechanical specifications	
Connection type	2 m, PVC cable
Core cross-section	0.75 mm ²
Housing material	PBT
Sensing face	PBT
Protection degree	IP67

Connection type:

E2

