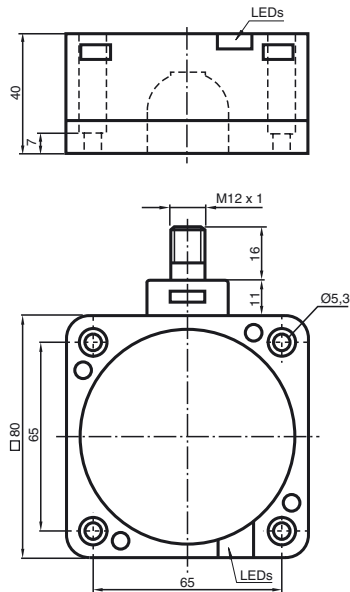
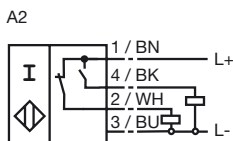


Comfort series
 50 mm not embeddable
 Resistant to welding



Switching element function	PNP	Antivalent
Rated operating distance s_n	50 mm	
Installation	not embeddable	
Assured operating distance s_a	0 ... 40,5 mm	
Reduction factor r_{AI}	0,4	
Reduction factor r_{Cu}	0,3	
Reduction factor r_{V2A}	0,85	
Operating voltage U_B	10 ... 60 V	
Switching frequency f	0 ... 80 Hz	
Hysteresis H	typ. 3 %	
Reverse polarity protection	Protected against reverse polarity	
Voltage drop U_d	≤ 3 V	
Operating current I_L	0 ... 200 mA	
Off-state current I_r	0 ... 0,5 mA	
No-load supply current I_0	≤ 20 mA	
Operating voltage display	LED, green	
Indication of the switching state	LED, yellow	
Standards	EN 60947-5-2	
Ambient temperature	-25 ... 70 °C (248 ... 343 K)	
Connection type	V1-connector	
Housing material	PBT	
Sensing face	PBT, active surface Teflon coated	
Protection degree	IP68	

Connection_type:



125026_ENG.xml

2003-12-03