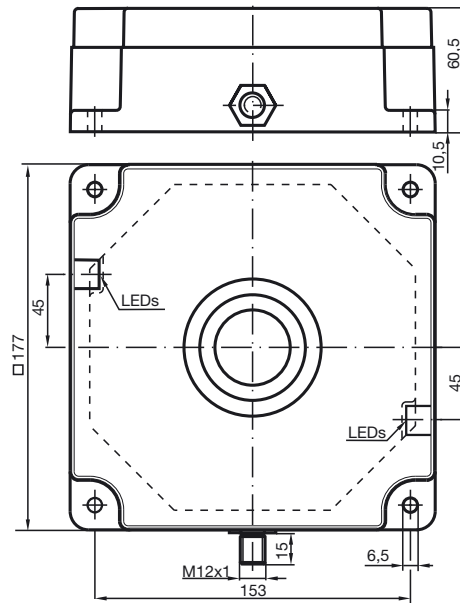
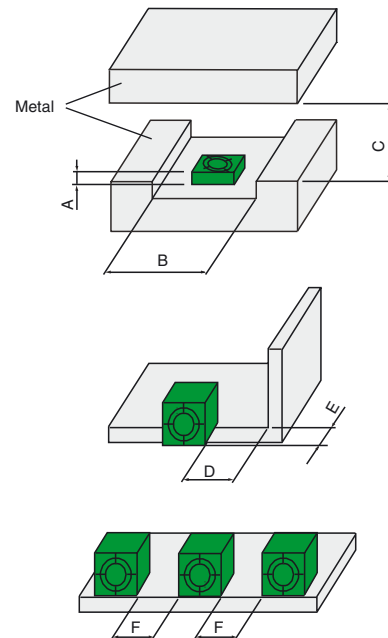


Comfort series  
100 mm not embeddable



General specifications	
Switching element function	PNP Make function
Rated operating distance $s_n$	100 mm
Installation	not embeddable
Assured operating distance $s_a$	0 ... 81 mm
Reduction factor $r_{Al}$	0,37
Reduction factor $r_{Cu}$	0,35
Reduction factor $r_{V2A}$	1
Reduction factor $r_{Ms}$	0,47
Nominal ratings	
Mounting conditions	
A	60 mm
B	300 mm
C	300 mm
D	80 mm
E	30 mm
F	180 mm
Operating voltage $U_B$	10 ... 60 V
Switching frequency $f$	0 ... 10 Hz
Hysteresis $H$	typ. 8 %
Reverse polarity protection	Protected against reverse polarity
Short-circuit protection	pulsing
Voltage drop $U_d$	$\leq 3$ V
Operating current $I_L$	0 ... 200 mA
Off-state current $I_r$	
No-load supply current $I_0$	$\leq 20$ mA
Operating voltage display	LED, green
Indication of the switching state	LED, yellow
Standard conformity	
Standards	EN 50044
Ambient conditions	
Ambient temperature	-25 ... 70 °C (248 ... 343 K)
Mechanical specifications	
Connection type	V1-connector
Core cross-section	-
Housing material	ABS (TSG), bottom Al
Sensing face	ABS
Protection degree	IP67

Mounting:



Connection type:

