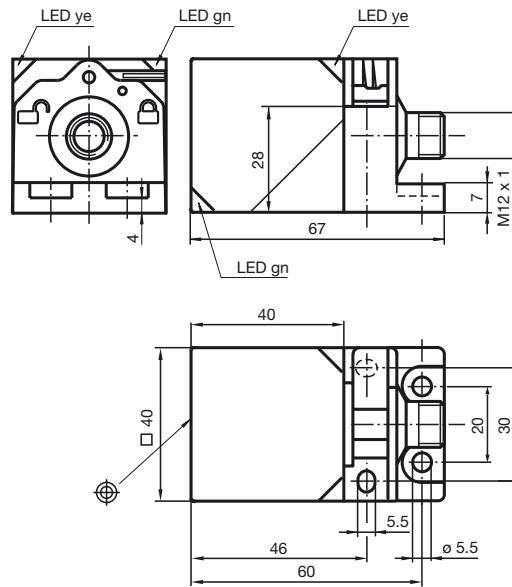
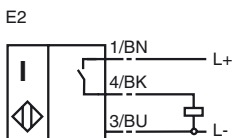


Basic series
 30 mm not embeddable
 Quick mounting shutter
 4-way LED indicator



General specifications	
Switching element function	PNP Make function
Rated operating distance s_n	30 mm
Installation	not embeddable
Output polarity	DC
Assured operating distance s_a	0 ... 24.3 mm
Reduction factor r_{AI}	0.33
Reduction factor r_{Cu}	0.31
Reduction factor r_{V2A}	0.74
Reduction factor r_{Ms}	0.38
Nominal ratings	
Operating voltage U_B	10 ... 30 V
Switching frequency f	0 ... 150 Hz
Hysteresis H	typ. 5 %
Reverse polarity protection	protected against reverse polarity
Short-circuit protection	pulsing
Voltage drop U_d	≤ 2 V
Design data	
Operating current I_L	0 ... 200 mA
Off-state current I_r	0 ... 0.5 mA typ. 0.1 μ A
No-load supply current I_0	≤ 20 mA
Operating voltage display	LED, green
Indication of the switching state	LED, yellow
Standard conformity	
Standards	IEC / EN 60947-5-2:2004
Ambient conditions	
Ambient temperature	-25 ... 85 °C (248 ... 358 K)
Storage temperature	-40 ... 85 °C (233 ... 358 K)
Mechanical specifications	
Connection type	V1-connector
Housing material	PA-GF35
Sensing face	PA-GF35
Protection degree	IP69K
Approvals and certificates	
Protection class	II
Rated insulation voltage U_i	253 V
Design-impulse-voltage withstand U_{imp}	4000 V
UL approval	cULus Listed, General Purpose

Connection type:



2007-04-02 - 187482_ENG.xml