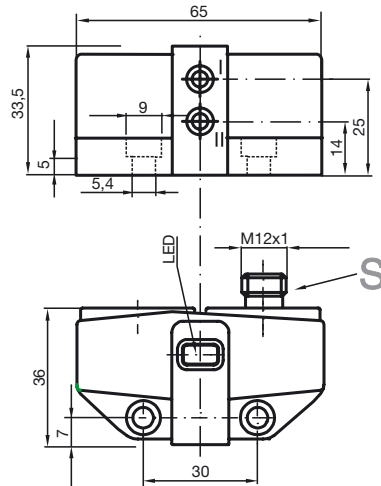


Direct mounting on standard actuators
 Compact and stable housing
 Fixed setting
 Satisfies machinery directive



General specifications	
Switching element function	PNP Dual Make function
Rated operating distance s_n	3 mm
Installation	embeddable
Assured operating distance s_a	0 ... 2,43 mm
Reduction factor r_{Al}	0,5
Reduction factor r_{Cu}	0,4
Reduction factor r_{V2A}	1
Reduction factor r_{St37}	1,2
Nominal ratings	
Operating voltage U_B	10 ... 30 V
Switching frequency f	0 ... 500 Hz
Hysteresis H	typ. 5 %
Reverse polarity protection	all connections
Short-circuit protection	pulsing
Voltage drop U_d	≤ 3 V
Operating current I_L	0 ... 100 mA
Off-state current I_r	0 ... 0,5 mA typ. 0,1 μ A at 25 °C
No-load supply current I_0	≤ 25 mA
Operating voltage display	LED, green
Indication of the switching state	LED, yellow
Standard conformity	
EMC in accordance with	EN 60947-5-2
Standards	EN 60947-5-2
Ambient conditions	
Ambient temperature	-25 ... 70 °C (248 ... 343 K)
Mechanical specifications	
Connection (system side)	V1-connector
Housing material	PBT
Sensing face	PBT
Protection degree	IP67

Connection type:

E8-V1

