



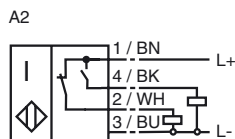
Model Number

NBB20-L2-A2-C-V1

Features

- Basic series
- 20 mm embeddable
- Quick mounting shutter
- 4-way LED indicator
- Resistant to welding

Connection



Accessories

V1-G

Non pre-wired cable socket

V1-W

Non pre-wired cable socket

V1-W-2M-PUR

Cable connector

MHW 01

Mounting aid

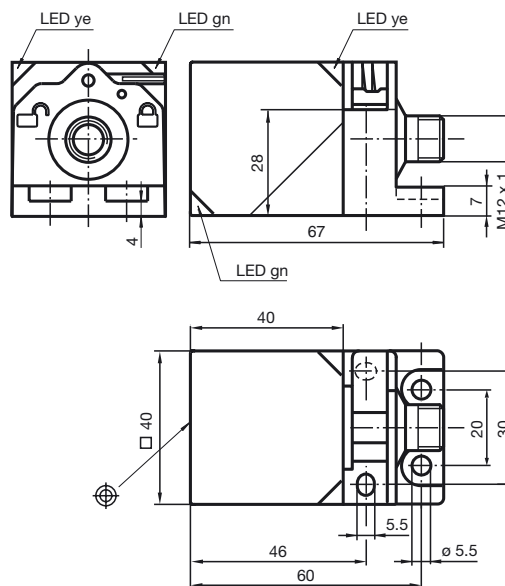
MH 02-L

Mounting aid

V1-G-2M-PUR

Cable connector

Dimensions



Technical Data

General specifications

Switching element function	PNP	Antivalent
Rated operating distance	s_n	20 mm
Installation	embeddable	
Output polarity	DC	
Assured operating distance	s_a	0 ... 16.2 mm
Reduction factor r_{Al}	0.33	
Reduction factor r_{Cu}	0.31	
Reduction factor r_{V2A}	0.74	
Reduction factor r_{Brass}	0.41	

Nominal ratings

Operating voltage	U_B	10 ... 30 V
Switching frequency	f	0 ... 10 Hz
Hysteresis	H	typ. 5 %
Reverse polarity protection	protected against reverse polarity	
Short-circuit protection	pulsing	
Voltage drop	U_d	≤ 3 V
Operating current	I_L	0 ... 200 mA
Off-state current	I_r	0 ... 0.5 mA
No-load supply current	I_0	≤ 20 mA
Operating voltage display	LED, green	
Indication of the switching state	LED, yellow	

Standard conformity

Standards	IEC / EN 60947-5-2:2004
-----------	-------------------------

Ambient conditions

Ambient temperature	-25 ... 85 °C (248 ... 358 K)
Storage temperature	-25 ... 85 °C (248 ... 358 K)

Mechanical specifications

Connection type	V1-connector
Housing material	PA 6 Grivory GVN-35H
Sensing face	PA 6 Grivory GVN-35H
Protection degree	IP69K

Approvals and certificates

Protection class	II	
Rated insulation voltage	U_i	253 V
Design-impulse-voltage withstand	U_{imp}	4000 V
UL approval	cULus Listed, General Purpose	