



Photoelectric sensors
G2S, Photoelectric proximity sensor, Background
suppression

GTB2S-N1311



Model Name > **GTB2S-N1311**
Part No. > **1062840**



Illustration may differ

At a glance

- Reliable detection of black and white objects at distances up to 15 mm
- Background blanking from 18 mm
- Laser-type light spot 2 mm in diameter at a distance of 8 mm

Your benefits

- Faster machine cycles due to the brilliant, small light spots that allow accurate switching points and small gaps between objects
- Universal use, since the sensors detect objects independent of their remission, object contours and backgrounds
- High throughput and less downtime due to the sensor's ability to suppress active and passive interference in industrial environments.
- The 45-degree tilted cable entry offers maximum installation flexibility with additional soft rubber bearings to absorb vibrations and tensile loads
- The powerful PinPoint LED permits reliable detection of jet-black and poorly reflective objects



Features

Sensor/detection principle:	Photoelectric proximity sensor, Background suppression
Dimensions (W x H x D):	7.7 mm x 21.8 mm x 13.5 mm
Housing design (light emission):	Rectangular
Sensing range max.:	1 mm ... 18 mm ¹⁾
Sensing range:	4 mm ... 15 mm ²⁾
Type of light:	Visible red light
Light source:	PinPoint LED ³⁾
Wave length:	640 nm
Light spot size (distance):	Ø 2 mm (8 mm)
Background suppression typ. from:	20 mm

¹⁾ Object with 90 % reflectance (referred to standard white, DIN 5033) ²⁾ Object with 6 % remission ³⁾ Average service life of 100,000 h at T_A = +25 °C

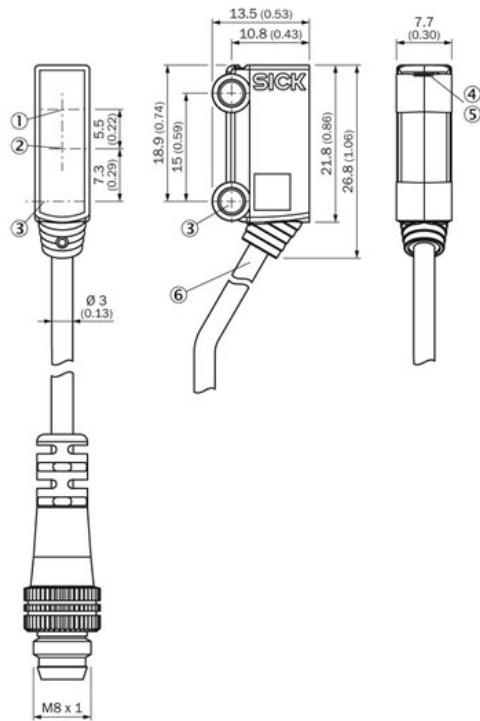
Mechanics/electronics

Supply voltage:	10 V DC ... 30 V DC ¹⁾
Ripple:	≤ 5 Vpp ²⁾
Current consumption:	≤ 20 mA ³⁾
Switching output:	NPN
Switching mode:	Light switching
Output current I _{max.} :	< 50 mA

Response time:	< 0.6 ms ⁴⁾
Switching frequency:	800 Hz ⁵⁾
Connection type:	Cable, 3-wire, 2 m ⁶⁾
Cable diameter:	Ø 3 mm
Circuit protection:::	A, C, D ⁷⁾ 8) 9)
Housing material:	ABS, Plastic
Optics material:	PMMA
Enclosure rating:	IP 67
Ambient temperature operation:	-20 °C ... +50 °C
Ambient storage temperature:	-40 °C ... +75 °C

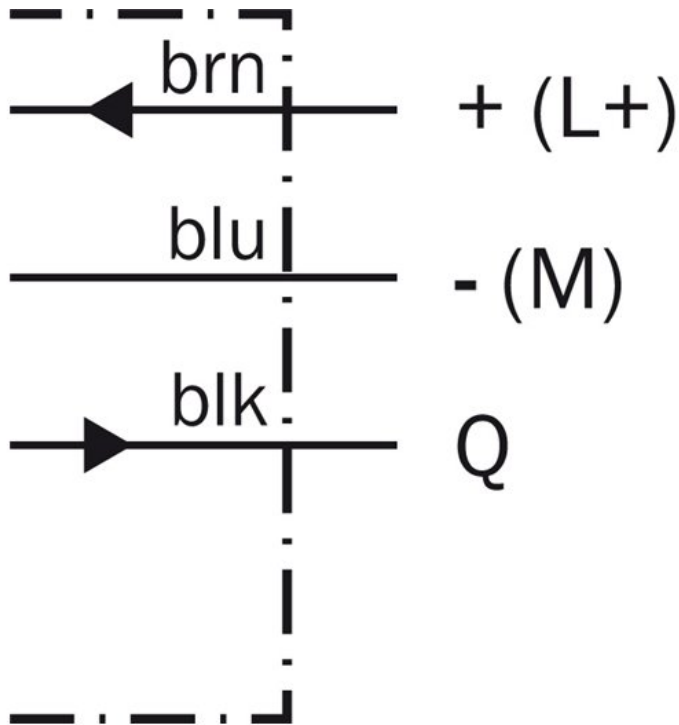
1) Limit values, operation in short-circuit protected network max. 8 A 2) May not exceed or fall short of V_S tolerances 3) Without load 4) Signal transit time with resistive load 5) With light/dark ratio 1:1 6) Do not bend below 0 °C 7) A = V_S connections reverse-polarity protected 8) C = interference suppression 9) D = outputs overcurrent and short-circuit protected

Dimensional drawing

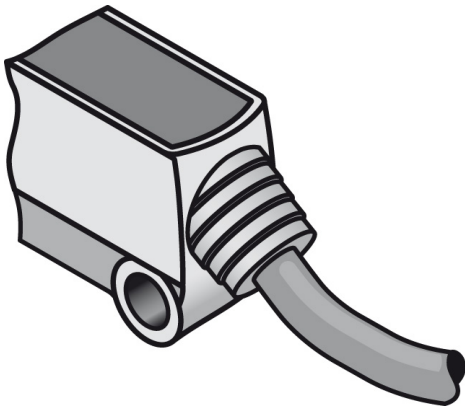


- [1] Optical axis receiver
- [2] Optical axis sender
- [3] Mounting hole, Ø 3.2 mm
- [4] Status indicator LED green: power on
- [5] Status indicator LED, yellow: Status of received light beam
- [6] Connection

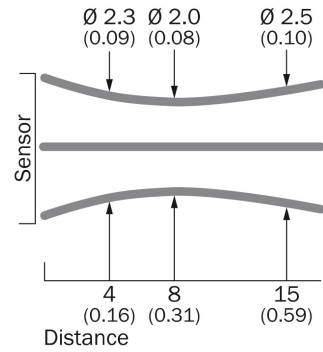
Connection diagram



Connection type

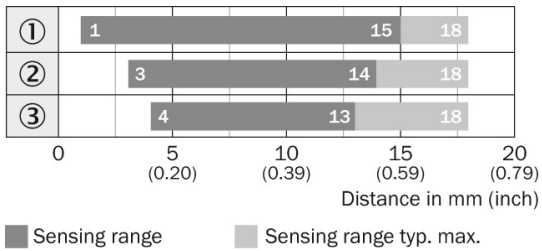


Light spot size



All dimensions in mm (inch)

Sensing range diagram



Australia

Phone +61 3 9457 0600
1800 334 802 – tollfree
E-Mail sales@sick.com.au

Belgium/Luxembourg

Phone +32 (0)2 466 55 66
E-Mail info@sick.be

Brasil

Phone +55 11 3215-4900
E-Mail sac@sick.com.br

Canada

Phone +1 905 771 14 44
E-Mail information@sick.com

Česká republika

Phone +420 2 57 91 18 50
E-Mail sick@sick.cz

China

Phone +86 4000 121 000
E-Mail info.china@sick.net.cn
Phone +852-2153 6300
E-Mail ghk@sick.com.hk

Danmark

Phone +45 45 82 64 00
E-Mail sick@sick.dk

Deutschland

Phone +49 211 5301-301
E-Mail info@sick.de

España

Phone +34 93 480 31 00
E-Mail info@sick.es

France

Phone +33 1 64 62 35 00
E-Mail info@sick.fr

Great Britain

Phone +44 (0)1727 831121
E-Mail info@sick.co.uk

India

Phone +91-22-4033 8333
E-Mail info@sick-india.com

Israel

Phone +972-4-6801000
E-Mail info@sick-sensors.com

Italia

Phone +39 02 27 43 41
E-Mail info@sick.it

Japan

Phone +81 (0)3 3358 1341
E-Mail support@sick.jp

Magyarország

Phone +36 1 371 2680
E-Mail office@sick.hu

Nederland

Phone +31 (0)30 229 25 44
E-Mail info@sick.nl

Norge

Phone +47 67 81 50 00
E-Mail sick@sick.no

Österreich

Phone +43 (0)22 36 62 28 8-0
E-Mail office@sick.at

Polska

Phone +48 22 837 40 50
E-Mail info@sick.pl

România

Phone +40 356 171 120
E-Mail office@sick.ro

Russia

Phone +7-495-775-05-30
E-Mail info@sick.ru

Schweiz

Phone +41 41 619 29 39
E-Mail contact@sick.ch

Singapore

Phone +65 6744 3732
E-Mail sales.gsg@sick.com

Slovenija

Phone +386 (0)1-47 69 990
E-Mail office@sick.si

South Africa

Phone +27 11 472 3733
E-Mail info@sickautomation.co.za

South Korea

Phone +82 2 786 6321/4
E-Mail info@sickkorea.net

Suomi

Phone +358-9-25 15 800
E-Mail sick@sick.fi

Sverige

Phone +46 10 110 10 00
E-Mail info@sick.se

Taiwan

Phone +886-2-2375-6288
E-Mail sales@sick.com.tw

Türkiye

Phone +90 (216) 528 50 00
E-Mail info@sick.com.tr

United Arab Emirates

Phone +971 (0) 4 8865 878
E-Mail info@sick.ae

USA/México

Phone +1(952) 941-6780
1 800-325-7425 – tollfree
E-Mail info@sickusa.com

More representatives and agencies
at www.sick.com