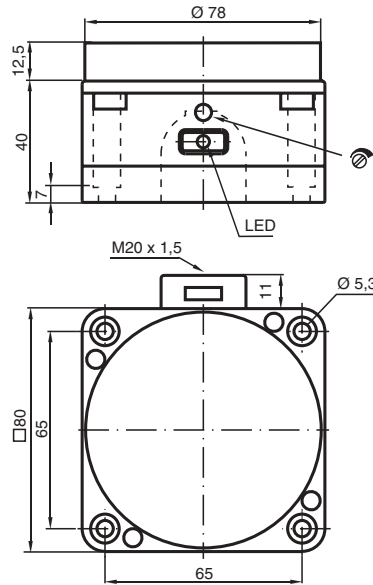


Comfort series
 40 mm not embeddable
 The switching distance can be set over a wide range with the potentiometer



Switching element function	PNP Antivalent
Rated operating distance s_n	40 mm
Installation	not embeddable
Assured operating distance s_a	0 ... 28,8 mm
Operating voltage U_B	10 ... 60 V
Switching frequency f	0 ... 10 Hz
Reverse polarity protection	Protected against reverse polarity
Short circuit protection	pulsing
Voltage drop U_d	$\leq 2,8$ V
Operating current I_L	0 ... 200 mA
No-load supply current I_0	≤ 20 mA
Indication of the switching state	LED, yellow
EMC in accordance with	EN 60947-5-2
Ambient temperature	-25 ... 70 °C (248 ... 343 K)
Connection type	terminal compartment
Core cross-section	up to 2.5 mm ²
Housing material	PBT/POM
Sensing face	POM
Protection degree	IP65

Connection_type:

